



ETG-5SE-RGB-IC
Flashing RGB LED

FLASHING LED

6000 Venice Bl. 2nd Floor, Los Angeles, Calif 90034

<http://www.etgtech.com>

lloyd@etgtech.com

Light color Red Blue Green Color

Absolute maximum rating Ta25

- Reverse current 100 μ A
- Peak current duty 0.1,1KHz 100 mA
- Operating/Storage temperature range -30 ~ +85
- Derating linear from 25 0.4 mA/
- Lead soldering temperature range 260 for 5 second

Electro-optical characteristics TA25

RED COLOR

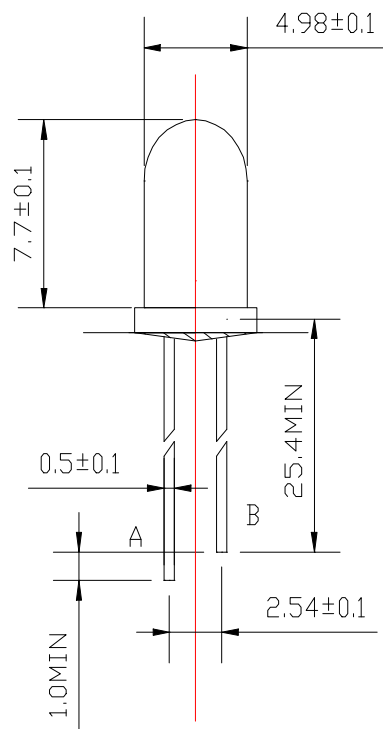
Parameter	Symbol	Min	Typ.	Max	Unit	Test Condition
Forward voltage	VF	❖	2.13	2.26	V	IF 20 mA
Luminous intensity	IV		1000	❖	mcd	IF 20 mA
Peak emission wavelength	p		622	623	nm	❖
Half intensity angle		❖	25.6	❖	deg	❖

GREEN COLOR

Parameter	Symbol	Min	Typ.	Max	Unit	Test Condition
Forward voltage	VF	❖	3.5	4	V	IF 20 mA
Luminous intensity	IV		1800	❖	mcd	IF 20 mA
Peak emission wavelength	p		520	535	nm	❖
Half intensity angle		❖	21.6	❖	deg	❖

BLUE COLOR

Parameter	Symbol	Min	Typ.	Max	Unit	Test Condition
Forward voltage	VF	❖	2.5	4	V	IF 20 mA
Luminous intensity	IV		550	❖	mcd	IF 20 mA
Peak emission wavelength	p		470	475	nm	❖
Half intensity angle		❖	21.6	❖	deg	❖



AAnode **BC**athode

Supply Voltage Range 4.5 V DC

Low Standby Current 5 A

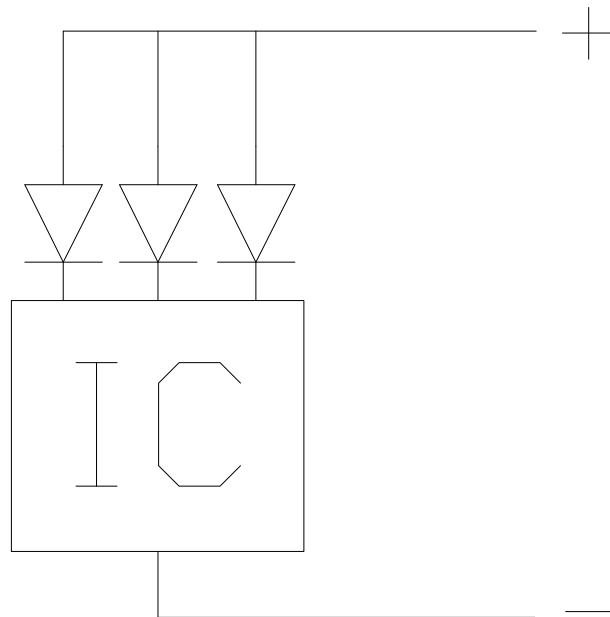
Power On—On Mode

Crystal---1.4Hz(one second for 1.4 times)

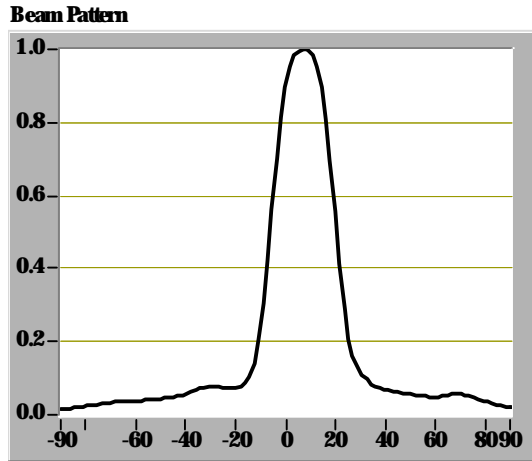
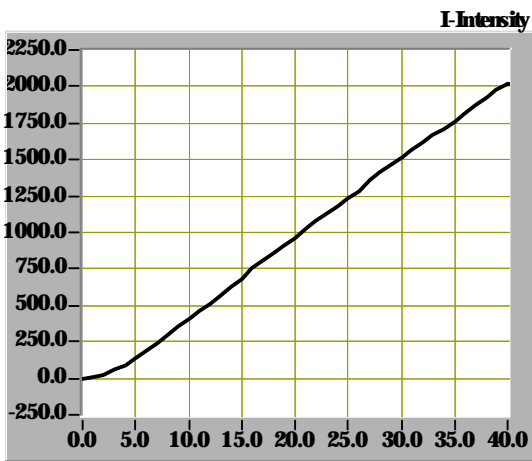
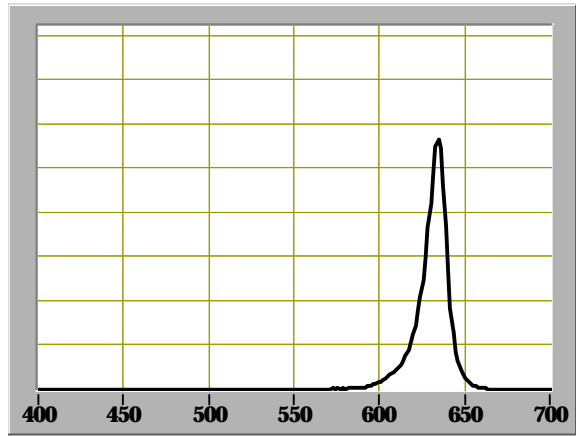
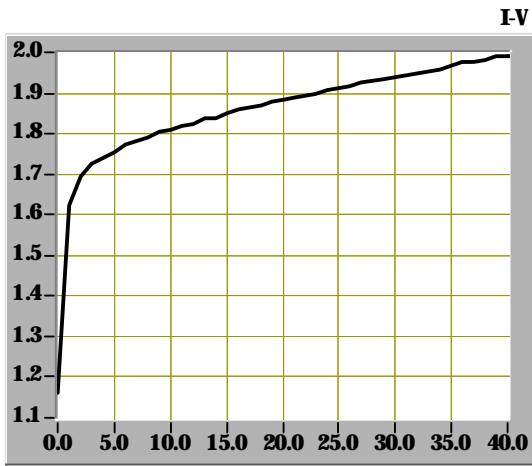
Driver Current 25mA

Input current : 90 mA

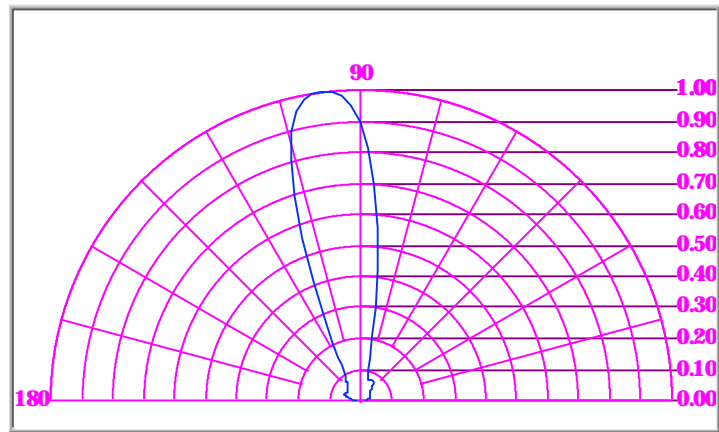
Power Consumption : 0.405 W



RED COLOR



Polar Plot

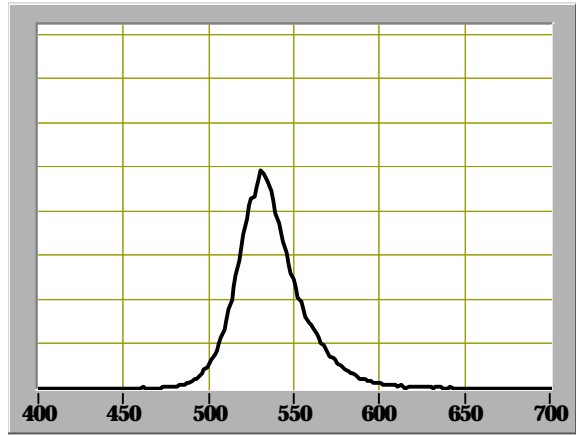
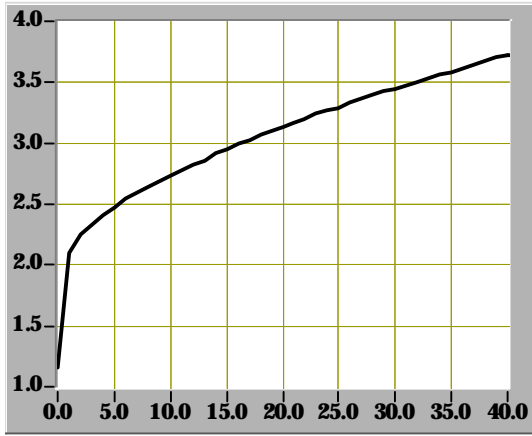


DEVICE TYPE

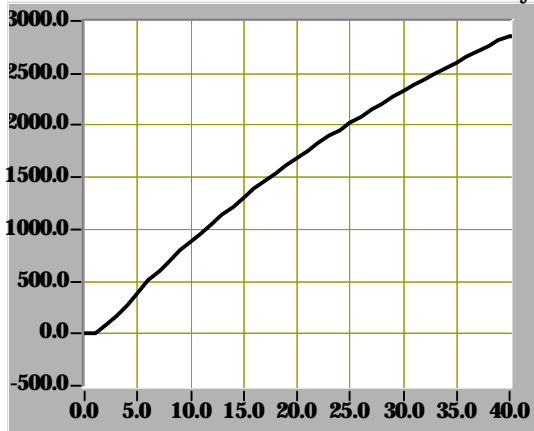
FLASH HREE COLOR5.0mmLAMP

GREEN COLOR

IV



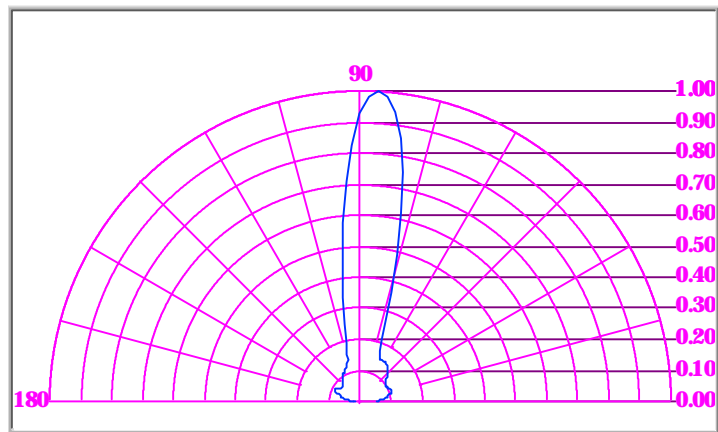
I-Intensity



Beam Pattern



Polar Plot

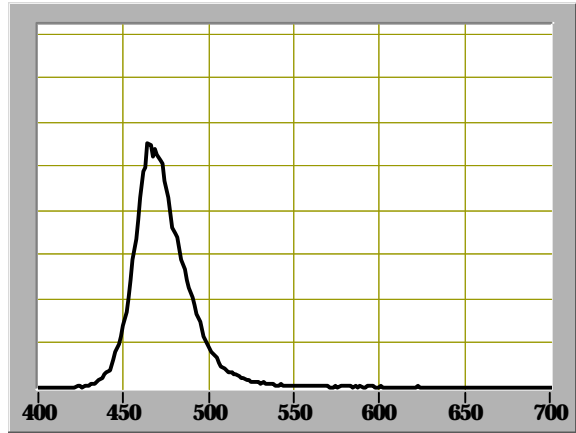
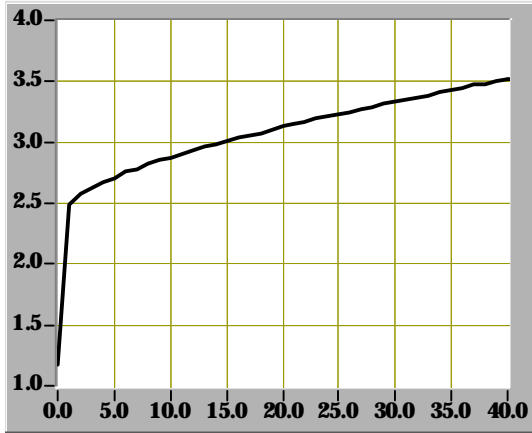


DEVICE TYPE

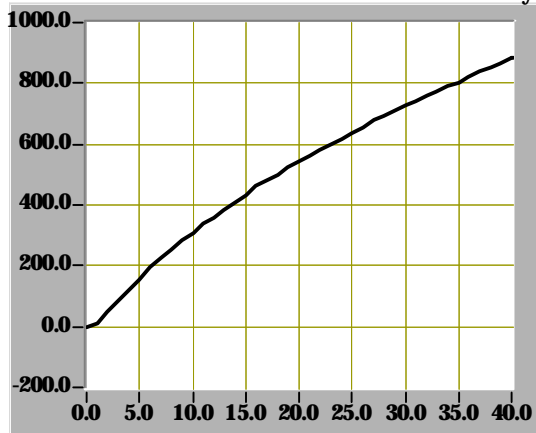
FLASH HREE COLOR5.0mmLAMP

BLUE COLOR

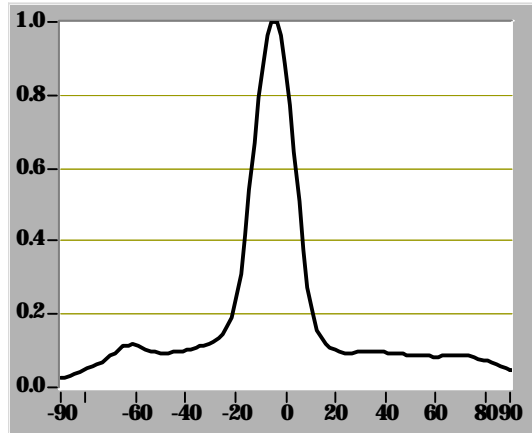
I-V



I-Intensity



Beam Pattern



Polar Plot

