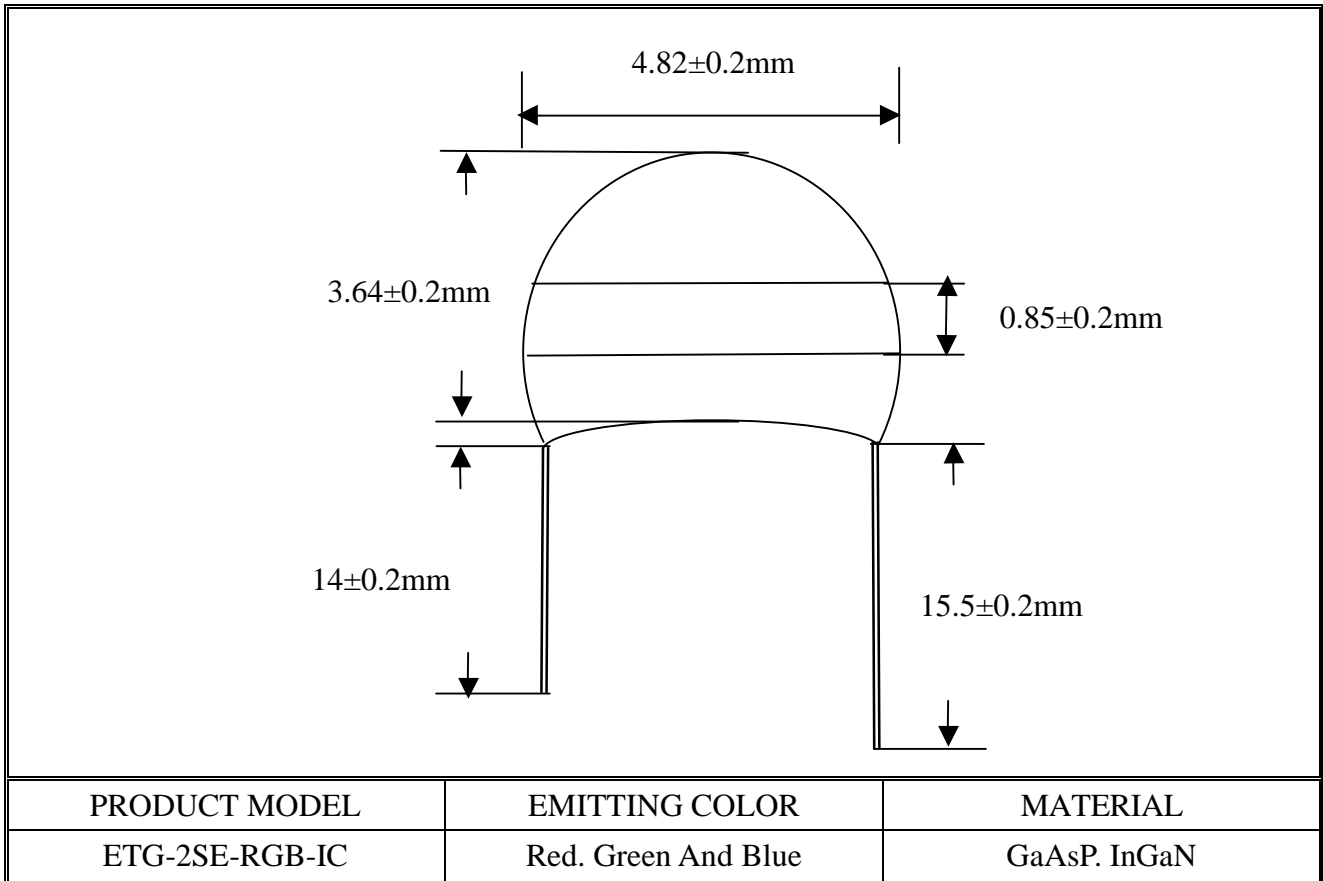




# ETG-2SE-RGB-IC

Flashing RGB Led – Low profile



ETG Inc.  
1230 North Jefferson  
Suite M  
Anaheim, CA 92807  
323-937-5163

[www.etgtech.com](http://www.etgtech.com) - [sales@etgtech.com](mailto:sales@etgtech.com)



## ETG-2SE-RGB-IC

Flashing RGB Led – Low profile

Electro-Optical Characteristic (Ta=+25? )						
PARAMETER	SYMBOL	CONDITIONS	MIN.	TYP.	MAX.	UNIT
Forward Voltage	VF	IF=20mA	R-1.8	\	R-2.4	V
			B-2.8	\	B-3.8	
			G-2.8		G-3.8	
Reverse Current	IR	VR=5V			30	uA
Luminous Intensity	IV	IF=20mA	\	\	\	mcd
Peak Wavelength	?D	IF=20mA	R-620	\	R-635	Nm
			B-465	\	B-470	
			G-520	\	G-530	
Spectral Line Half width	??	IF=20mA		\		
Viewing Angel	??	IF=20mA		±60		deg

ABSOLUTE MAXIMUM RATINGS (Ta=+25? )					
Reverse Voltage	Continuous	Peak forward	Power Dissipation	Operation	Storage
10	30	100	100	-40~85	-40~100

ETG Inc.  
 1230 North Jefferson  
 Suite M  
 Anaheim, CA 92807  
 323-937-5163  
[www.etgtech.com](http://www.etgtech.com) - [sales@etgtech.com](mailto:sales@etgtech.com)