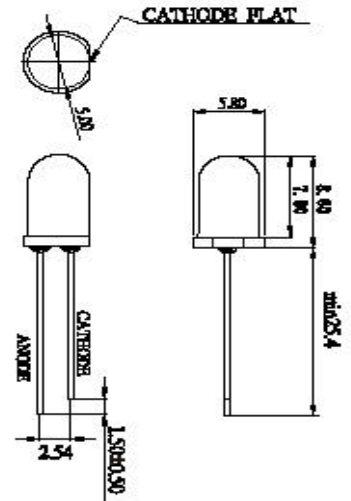




## ETG-5UV395-30

### Package Dimensions



#### DESCRIPTION

SOURCE MATERIAL-----InGaN  
 EMITTING COLOR-----Blue UV  
 LENS TYPE-----WATER CLEAR

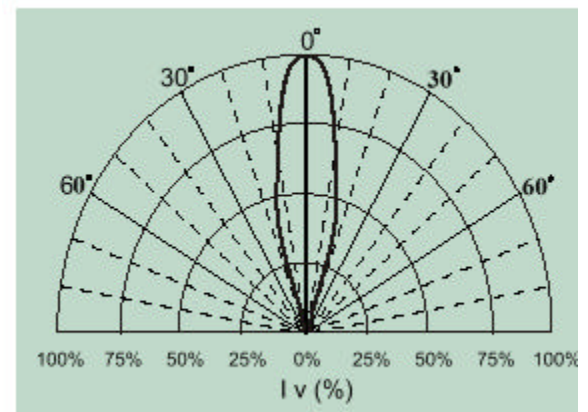
#### ABSOLUTE MAXIMUM RATING (Ta=25°C)

PEAK FORWARD CURRENT (1/10 DUTY CYCLE @ 1kHz)----100Ma  
 AVERAGE FORWARD CURRENT-----30Ma  
 LED JUNCTION TEMPERATURE-----125°C  
 REVERSE VOLTAGE-----5.0V  
 OPERATING TEMPERATURE----- -20°C TO +80°C  
 STORAGE TEMPERATURE----- -30°C TO +100°  
 LEAD SOLDERING TEMPERATURE-----260°C FOR 5 SEC.

#### ELECTRICAL/OPTICAL CHARACTERISTICS (Ta=25°)

PARAMETER	CONDITION	SYMBOL	MIN	TYP	MAX	UNIT
PEAK WAVELENGTH	If=20mA	$\lambda_D$	390	395	400	nm
FORWARD VOLTAGE	If=20mA	V <sub>F</sub>	3.7	3.8	4.0	V
REVERSE CURRENT	V <sub>R</sub> =5V	I <sub>r</sub>			10	$\mu$ A
LUMINOUS INTENSITY	If=20mA	I <sub>v</sub>	300	500	700	mcd
VIEWING ANGLE	If=20mA	2 $\theta_{1/2}$		30		deg

### Beam Pattern



#### CAUTION: EMITS ULTRAVIOLET RADIATION!!

- This device radiates intense ultraviolet (UV) light when operated.
- Exposure to UV radiation can be harmful to your health. Protect your eyes and skin during operation.
- Do not look directly at the device during operation. Exposure to UV light, even for a brief period, can damage your eyes.
- Do not operate the device unless you have had proper safety training and take appropriate precautions.
- Don not permit children or untrained personnel to operate the device.

#### PRECAUTIONS:

These products are sensitive to static electricity; high standard of care must be fully taken when handling them. Particularly if an over-voltage that exceeds the Absolute maximum Rating of these products were applied, the overflow energy will cause damage to and possible result in destruction of these products. Buyer shall take absolute secure countermeasures against static electricity and surge when handling these products.