



**ETG INC.**  
8599 Venice Blvd. Unit K  
Phone: + 1 (310) 202-6400  
<http://www.etgtech.com/>

Los Angeles, Ca 90034, U. S. A.  
Fax: +1 (310) 202-6406  
EMail: [sales@etgtech.com](mailto:sales@etgtech.com)

# **ETG-5MN470-15**

## DATA SHEET

QC:

ENG:

Prepared By:

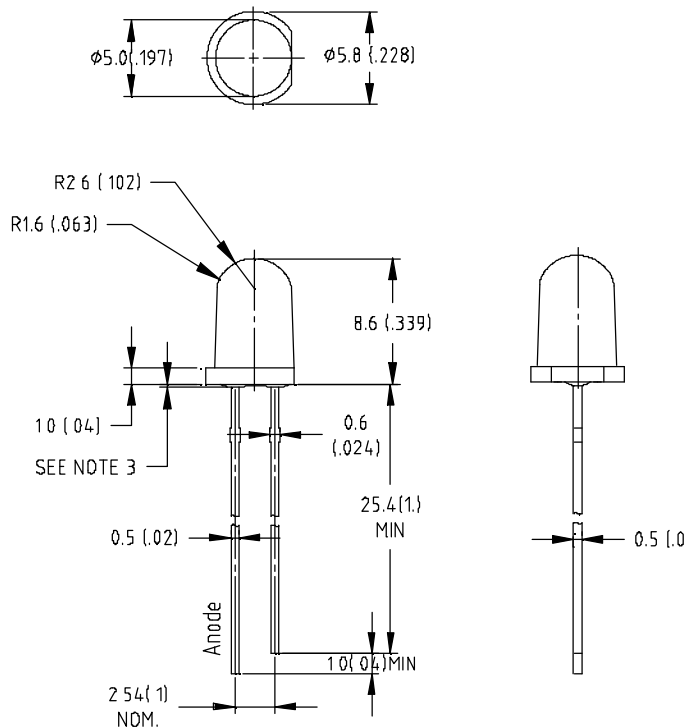
<b>Part No.</b>	<b>ETG-5MN470-15</b>	<b>Spec No.</b>	<b>3089825</b>	<b>Page</b>	<b>1 of 4</b>
-----------------	----------------------	-----------------	----------------	-------------	---------------



## Features:

- ◆ High intensity
- ◆ Standard T-1 3/4 diameter package
- ◆ General purpose leads
- ◆ Reliable and rugged

## Package Dimensions:



Part NO.	Chip Material	Lens Color	Source Color
ETG-5MN470-15	InGaN/SiC	Water Clear	Super Bright Blue

## Notes:

1. All dimensions are in millimeters (inches).
2. Tolerance is  $\pm 0.25$  mm (.010") unless otherwise noted.
3. Protruded resin under flange is 1.0mm(.04") max.
4. Lead spacing is measured where the leads emerge from the package.
5. Specifications are subject to change without notice.
6. This data-sheet only valid for six months.



### Absolute Maximum Ratings at Ta=25?

Parameter	MAX.	Unit
Power Dissipation	100	mW
Peak Forward Current (1/10 Duty Cycle, 0.1ms Pulse Width)	100	mA
Continuous Forward Current	35	mA
Derating Linear From 50?	0.4	mA/?
Reverse Voltage	5	V
Operating Temperature Range	-40? to +80?	
Storage Temperature Range	-40? to +80?	
Lead Soldering Temperature [4mm(.157") From Body]	260? for 5 Seconds	

### Electrical Optical Characteristics at Ta=25?

Parameter	Symbol	Min.	Typ.	Max.	Unit	Test Condition
Luminous Intensity	I <sub>v</sub>	2000	3200	5600	mcd	I <sub>f</sub> =20mA (Note 1)
Viewing Angle	2? <sup>1/2</sup>		15		Deg	(Note 2)
Peak Emission Wavelength	? p		468		nm	I <sub>f</sub> =20mA
Dominant Wavelength	? d	465	470	475	nm	I <sub>f</sub> =20mA (Note 3)
Spectral Line Half-Width	? ?		28		nm	I <sub>f</sub> =20mA
Forward Voltage	V <sub>F</sub>	3.0	3.4	3.9	V	I <sub>f</sub> =20mA
Reverse Current	I <sub>R</sub>	---	---	100	μA	V <sub>R</sub> =5V

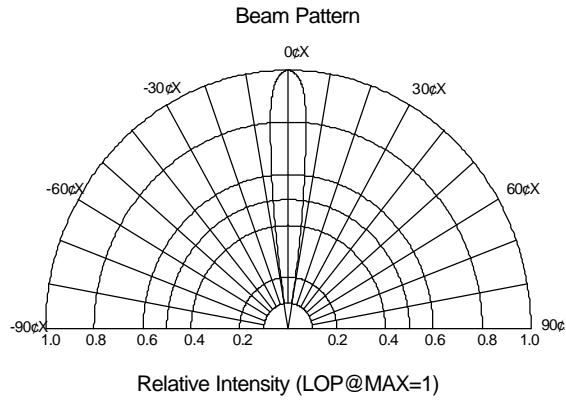
**Notes:**

1. Luminous intensity is measured with a light sensor and filter combination that approximates the CIE eye-response curve.
2. ? <sup>1/2</sup> is the off-axis angle at which the luminous intensity is half the axial luminous intensity.
3. The dominant wavelength (? d) is derived from the CIE chromaticity diagram and represents the single wavelength which defines the color of the device.



**ETG INC.**  
8599 Venice Blvd. Unit K  
Phone: + 1 (310) 202-6400  
<http://www.etgtech.com/>

Los Angeles, Ca 90034, U. S. A.  
Fax: +1 (310) 202-6406  
E-Mail: [sales@etgtech.com](mailto:sales@etgtech.com)



**Part No.**

**ETG-5MN470-15**

**Spec No.**

**3089825**

**Page**

**4 of 4**

Version:1.0